

Technical Newsletter

#tn12016-0029e

1 / 2

DFG8340, 8540, 8560/DGP8760/DFP Series/DTG Series Request for Periodic Replacement [Leaf Spring of Chuck Table Washing Unit]

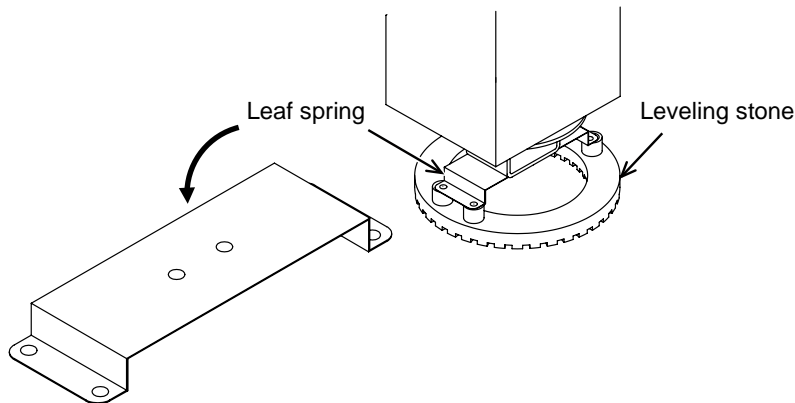
Applicable model

Series name	Applicable model
DFG	DFG8340 DFG8540 DFG8560
DFP	DFP8140 DFP8160
DGP	DGP8760
DTG	DTG8440 DTG8460

Leaf spring of the chuck table washing unit

The leaf spring is a part holding the leveling stone of the chuck table washing unit. If a different leaf spring in shape from the one shown below is installed, replacement cannot be performed with the part and replacement procedure described in this document.

Please contact DISCO.



Request for replacement at intervals of 1 year

In order to prevent the leaf spring from getting broken due to aged deterioration, it is recommended to periodically replace it (together with the leveling stone of the chuck table washing unit at intervals of 1 year).

If the leaf spring is broken, the leveling stone that has not been properly held or the broken leaf spring may damage the chuck table.

Sorry for inconvenience caused by the periodic replacement but we appreciate your understanding.

Parts for replacement/Part No.

For the replacement procedure, see the next page.

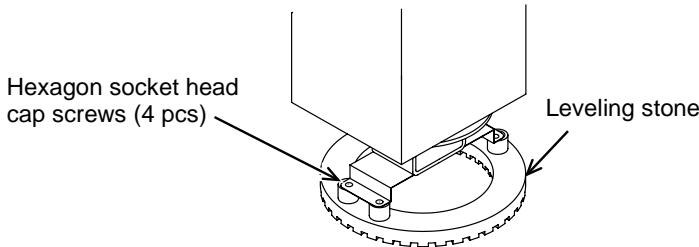
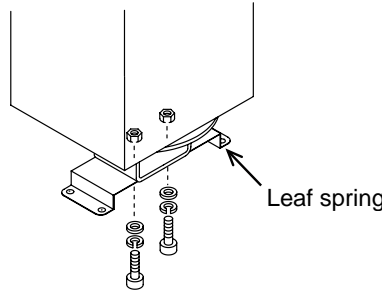
Item	DISCO Part ID	Qty.
Leaf spring	SPRING LJLX-910000-0	1

Technical Newsletter

#tnl2016-0029e

2 / 2

Procedures to replace the leveling stone and leaf spring of the washing unit

Step No.	Procedure
1	Initialize the machine.
2	Turn OFF the machine power.
3	Turn the power circuit breaker lever on the machine rear side to the "OFF" position and lockout/tagout it with a padlock or the like.
4	Shut OFF power supply at the facility side.
5	Open the grinding/processing section side cover at the right side of the machine. • For the DGP8760, open the processing section side cover at the left side of the machine.
6	Remove the leveling stone from the washing unit after removing hexagon socket head screws (M4×4 pcs) retaining it. • Hold the leveling stone from below so that it does not fall off. 
7	Remove the leaf spring from the washing unit after removing hexagon socket head screws (M4×2 pcs) retaining it. • Be careful not to drop the leaf spring, screws, lock washers, or nuts. 
8	Install the new leaf spring and secure it with hexagon socket head cap screws (M4×2 pcs), spring lock washer, plain washer, and nuts.
9	Install a new leveling stone and secure it with hexagon socket head cap screws (M4×4 pcs).
10	Close the grinding/processing section side cover at the right side of the machine. • For the DGP8760, close the processing section side cover at the left side of the machine.
11	Make stroke amount adjustment of the leveling stone seeing [Stroke Amount Check of Washing Unit] of Chapter E in the Maintenance Manual.

Inquiries

Please contact your local DISCO sales representative or DISCO customer engineer if you have any questions regarding this matter.